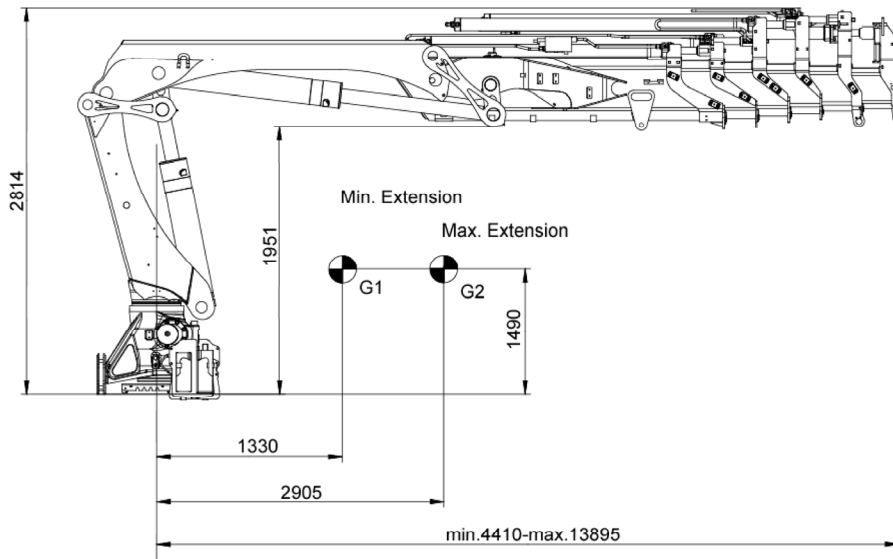
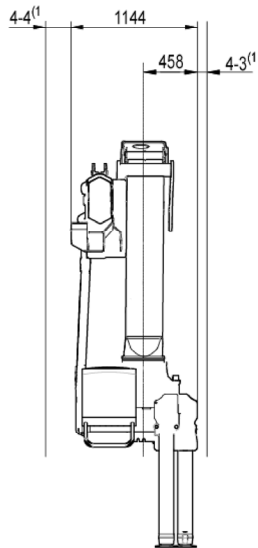


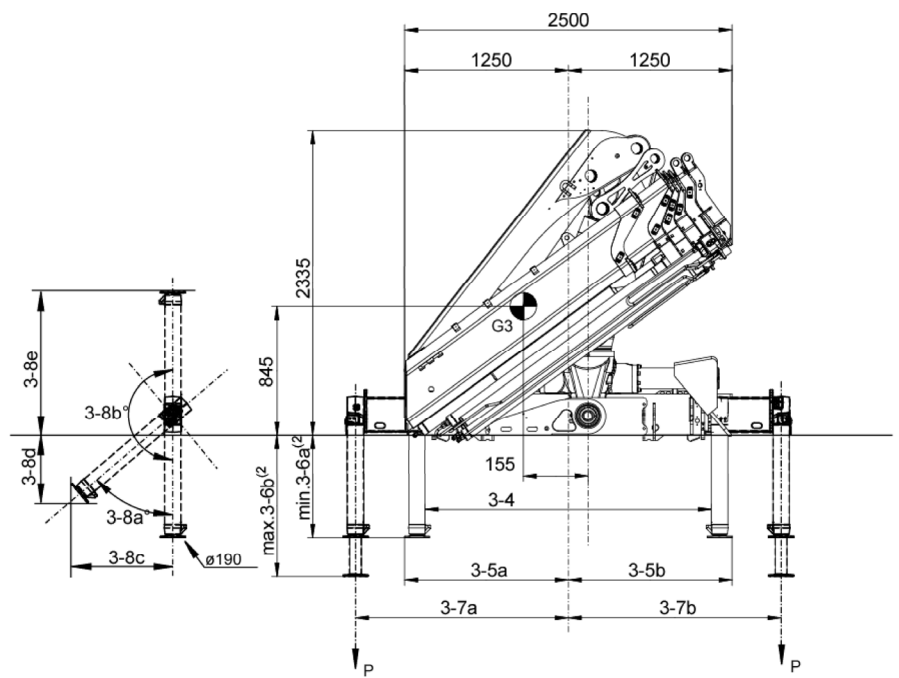
## Side View Unfolded Stretched



## Side View Folded

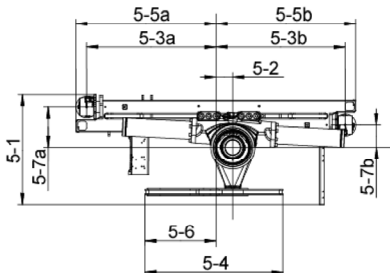


## Front View Folded



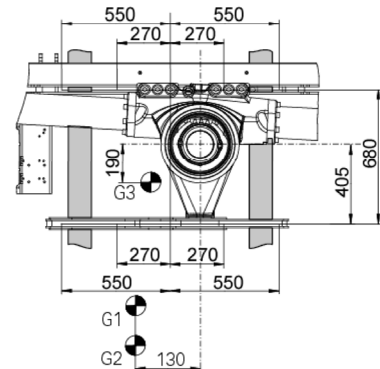
NOTE For specific values, see Table of Measurements

## Top View Crane Base

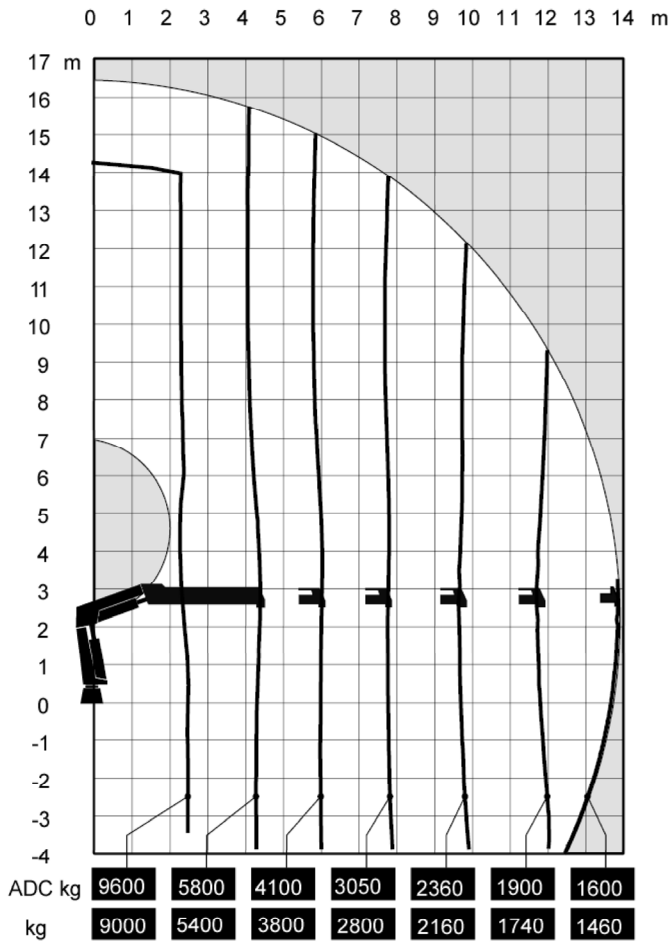


NOTE For specific values, see Table of Measurements

## Chassis Installation



**Load Diagram**



**Capacity and performance**

Lifting capacity with ADC	250.8 (kNm)
Lifting capacity	234 (kNm)
Standard lifting capacity at standard outreach with ADC	2.6 (m) - 9600 (kg) 4.4 (m) - 5800 (kg) 6.0 (m) - 4100 (kg) 7.8 (m) - 3050 (kg) 9.7 (m) - 2360 (kg) 11.7 (m) - 1900 (kg) 13.8 (m) - 1600 (kg)
Standard lifting capacity at standard outreach	2.6 (m) - 9000 (kg) 4.4 (m) - 5400 (kg) 6.0 (m) - 3800 (kg) 7.8 (m) - 2800 (kg) 9.7 (m) - 2160 (kg) 11.7 (m) - 1740 (kg) 13.8 (m) - 1460 (kg)
Manual lifting capacity at extension	15.8 (m) - 1320 (kg) 17.5 (m) - 1140 (kg)
Heavy lift capacity at heavy lift outreach	2.2 (m) - 11100 (kg)
Hydraulic boom extension	9.5 (m)
Manual max outreach	21.0 (m)
Lifting height above installation level hydraulic	16.5 (m)
Lifting height above installation level manual	20.1 (m)
Slewing torque	34 (kNm)
V80 Slewing speed	15 (°/s)
Slewing angle	420 (°)
Lifting speed	1.8 (m/s)

**Functional demands**

Recommended oil flow low	90 (l/min)
Recommended oil flow high	120 (l/min)
Working pressure	34 (MPa)
Max slope viable at full capacity	5 (°)

**Weights and measurements**

Height in folded position	2335 (mm)
Width in folded position	2500 (mm)
Installation space needed	1144 (mm)
Weight of crane	3310 (kg)
Weight support leg equipment	402 (kg)

**Side View Unfolded Close in Area**

